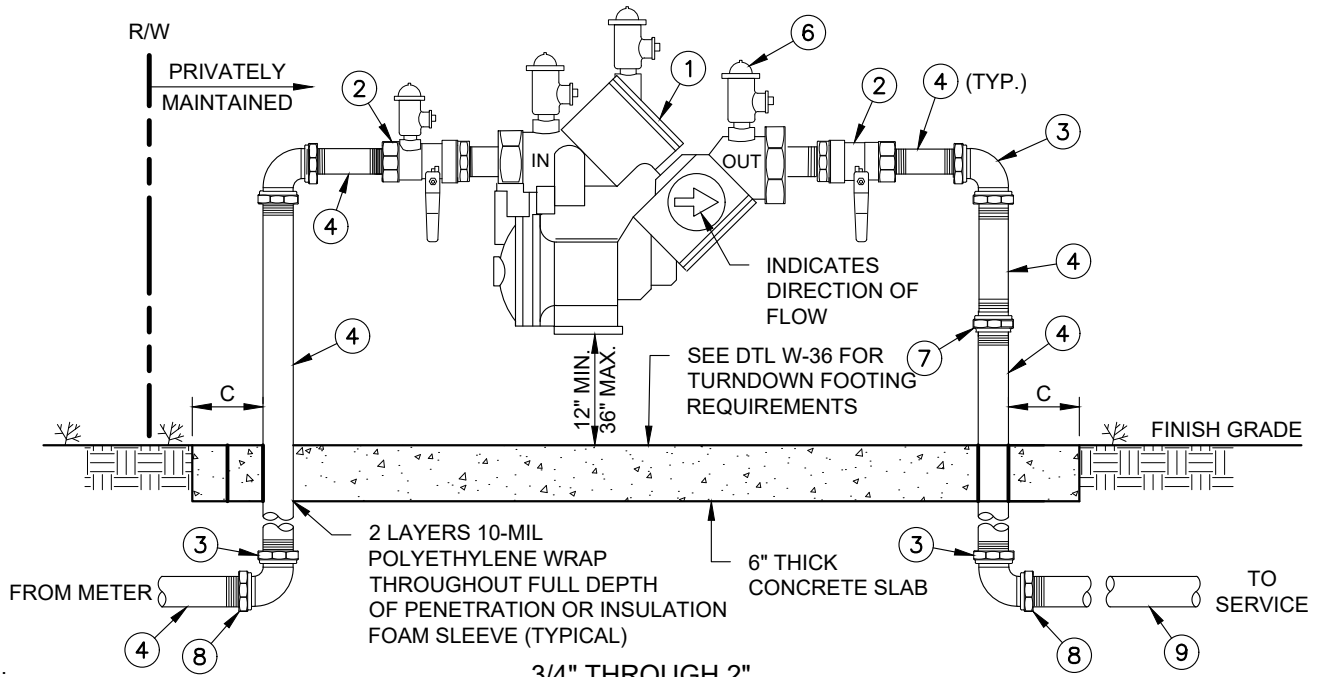


ADEQUATE CLEARANCE MUST BE PROVIDED TO PERMIT TESTING AND REPAIR WORK

MINIMUM CLEARANCE			
SIZE	A	B	C
1"-3"	12"	18"	12"
4"& UP	24"	24"	12"

REQUIRED MIN. 2 FEET CLEARANCE WITH BLOCK WALL



NOTES:

3/4" THROUGH 2"

1. ALL DOMESTIC BACKFLOW AND PLUMBING SHALL BE LEAD-FREE
2. LOCATED THE ASSEMBLY A MINIMUM 1' PAST THE METER BOX. OTHER LOCATIONS MUST BE APPROVED BY THE DISTRICT INSPECTOR PRIOR TO INSTALLATION.
3. BOTTOM OF UNIT SHALL BE NO LESS THAN 12-INCHES AND NO MORE THAN 36-INCHES ABOVE FINISHED GRADE OF THE SURROUNDING GROUND.
4. THE DEVICE MUST BE INSPECTED AND TESTED IMMEDIATELY AFTER INSTALLATION. CONTACT DISTRICT FOR INSPECTION & TESTING.
5. CONCRETE THRUST BLOCK AND/OR ABOVE GROUND SLAB REQUIRE INSPECTION BEFORE CONCRETE IS POURED.
6. MATERIALS SHALL BE SELECTED FROM THE APPROVED MATERIALS LIST.
7. USE ONLY TEFLON TAPE FOR PIPE THREADS.
8. PIPING SHALL BE PAINTED PER THE APPROVED MATERIALS LIST.
9. BRASS PLUGS ARE TO BE USED.
10. CONCRETE SHALL HAVE #4 @ 12" OC EW MIN. CONCRETE SHALL BE CLASS 560-C-3250.

ITEM	EACH	DESCRIPTION	SPEC.	REMARKS
①	1	REDUCED PRESSURE PRINCIPLE BACKFLOW DEVICE	PER STANDARD TECHNICAL SPECIFICATIONS	MUST BE STATE & UPC APPROVED TYPE
②	2	BALL VALVE	BRONZE INTERNAL	UPC APPROVED (BALL VALVE)
③	4	90° ELBOW, BRASS OR COPPER	THREADED BRASS	COPPER TYPE L, HARD
④	2	RISER AND NIPPLES, BRASS OR COPPER	THREADED BRASS	WITH THREADED BRASS UNIONS
⑥	1	BRASS PLUG / TEST PORT		
⑦	1	THREADED BRASS UNION OR COPPER UNION		
⑧	2	BRASS OR COPPER MALE ADAPTOR		FEMALE THREADED x MALE SLIP
⑨	1	P.V.C. PIPING		SCHEDULE AS REQUIRED

REVISION	BY	APPR	DATE

06/22/2023
PARAG KALARIA R.C.E. 83927 DATE

BACKFLOW PREVENTION ASSEMBLY (3/4" THROUGH 2") ABOVE GROUND INSTALLATION

STD. DWG. NO.
W-21B