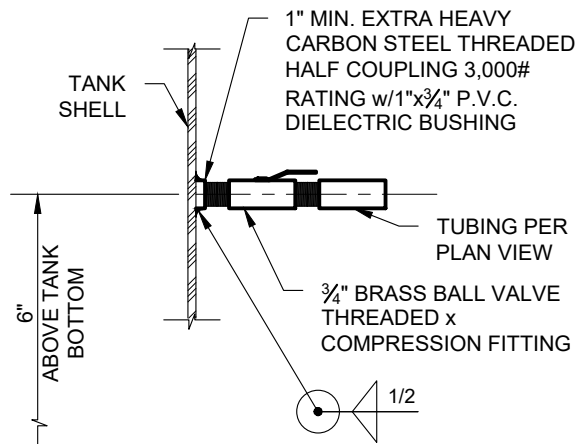


WATER SAMPLING STATION

NOT TO SCALE



SENSING LINE CONNECTION

NOT TO SCALE

NOTES

- 1. SENSING LINE ONLY REQUIRED FOR RESERVOIRS WITH ALTITUDE VALVES.

REVISION	BY	APPR	DATE

06/22/2023
 PARAG KALARIA R.C.E. 83927 DATE

**WELDED STEEL RESERVOIR
 WATER SAMPLING STATION
 SENSING LINE CONNECTION**

STD. DWG. NO.
T-6