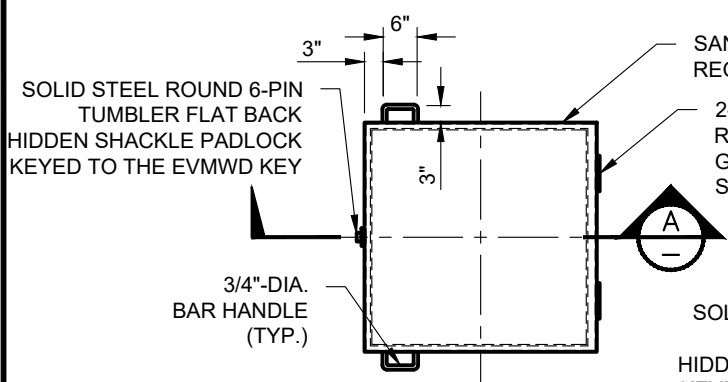


NOTES

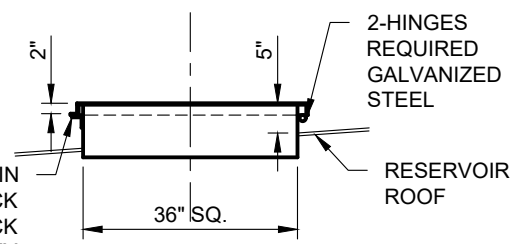
1. CORROSION RESISTANT FIBER REINFORCED PLASTIC INTERIOR LADDER WITH A TYPE 316 STAINLESS STEEL GUIDE RAIL SAFETY CLIMB SYSTEM SHALL BE INSTALLED.
2. LADDER SHALL BE EQUIPPED WITH 316 STAINLESS STEEL SAF-T-CLIMB FALL PREVENTION SYSTEM.
3. ALL DISSIMILAR METALS SHALL BE ISOLATED.

INTERNAL LADDER

NOT TO SCALE



1 36" HINGED ROOF HATCH
NOT TO SCALE



A ROOF HATCH SECTION
NOT TO SCALE

REVISION	BY	APPR	DATE

PARAG KALARIA R.C.E. 83927 DATE

WELDED STEEL RESERVOIR LADDER AND ROOF HATCH

STD. DWG. NO.
T-5