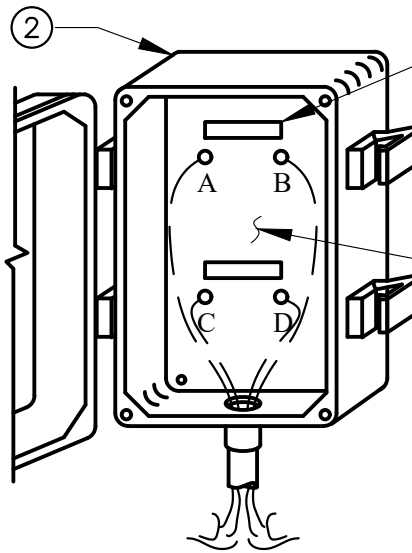
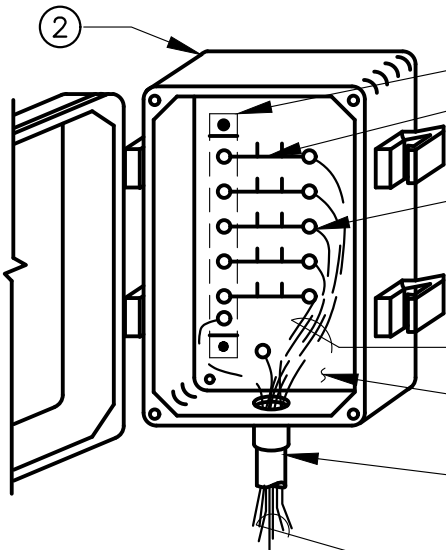


2-WIRE CTS



4-WIRE CTS
(2 PIPE INSULATOR OR CASING (CTS))



1/8" X 1" Cu BUS BAR

0.01 OHM SHUNT (TYP.)
(HOLLOWAY TYPE RS)

BRASS LUGS (TYP)

NO. 8 HMWPE ANODE LEADS

BACK PANEL (OFFSET)

2" PVC (TYP)

NO.8 HMWPE PIPE/TEST LEADS (TYP)

1 TO 5 ANODE CTS

NOTES:

1. FIX TO POST WITH 1-1/2" NO.10 WOOD SCREWS SEE G-3.

| ITEM | DESCRIPTION | SPEC/DWG |
|------|---|----------|
| 1 | HOFFMAN 4X FRP ENCLOSURE (A-645JFGQRR) 6"x4"x5" | |
| 2 | HOFFMAN 4X FRP ENCLOSURE (A-1287JFGQRR) 12"x8"x7" | |

| REVISION | BY | APPR | DATE |
|----------|----|------|------|
| | | | |
| | | | |
| | | | |
| | | | |

PARAG KALARIA R.C.E. 83927 DATE

WIRING IN
POST-MOUNTED TEST BOX

| STD. DWG. NO. |
|---------------|
| CP-9 |