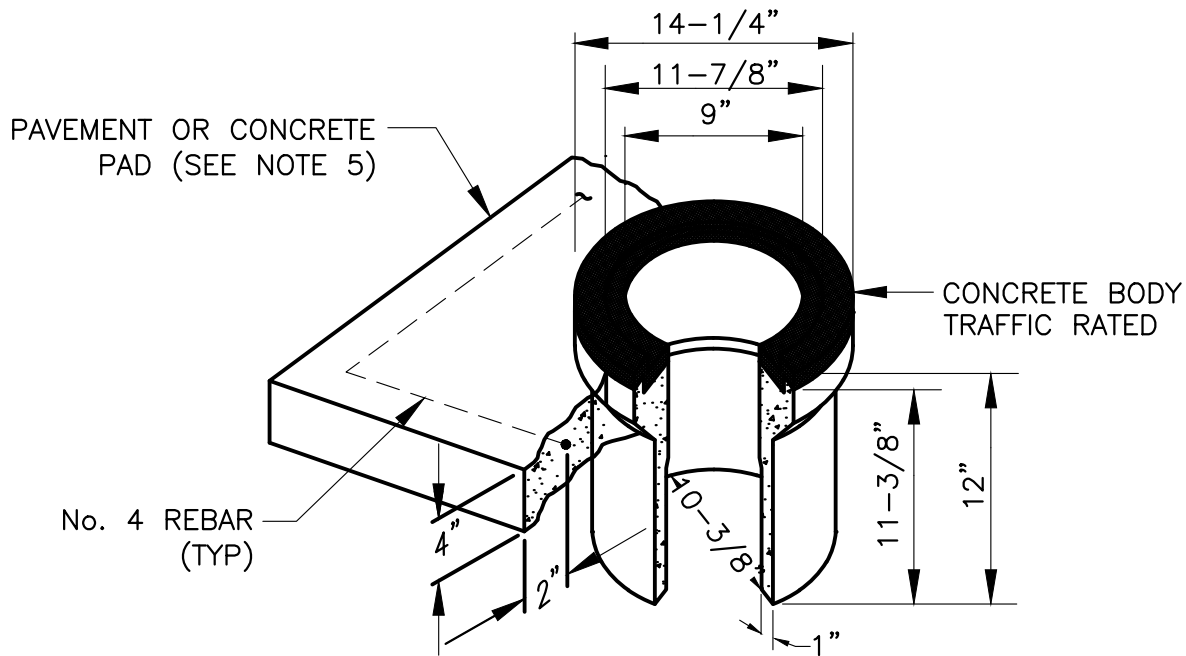


CAST IRON TRAFFIC COVER  
 MARKED "EVMWD CPT"  
 (WEIGHT=10 LBS.)



**NOTES:**

1. CONCRETE BODY, H-20 TRAFFIC RATED-CHRISTY NO.G5.
2. ALL WIRES SHALL HAVE 18" MIN. SLACK IN BOX.
3. BOTTOM OF TEST BOX SHALL BE NATIVE SOIL. DO NOT PLACE ROCK, GRAVEL OR SAND IN TEST BOX.
4. TEST BOX SHALL BE LOCATED BEHIND SIDEWALK. IF NO SIDEWALK EXISTS, THEN INSTALL BEHIND THE CURB.
5. PROVIDE 24"X24"X4" THICK REINFORCED SQUARE CONCRETE PAD AROUND TEST BOXES AT UNPAVED SITES.

REVISION	BY	APPR	DATE

06/22/2023  
 PARAG KALARIA R.C.E. 83927 DATE

**AT-GRADE TEST BOX**

STD. DWG. NO.  
**CP-3**